

LED_Indicators



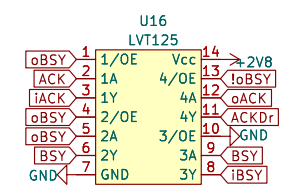
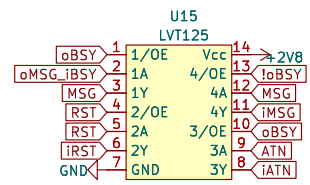
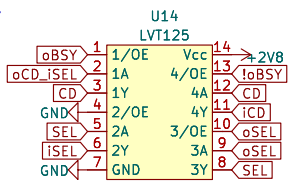
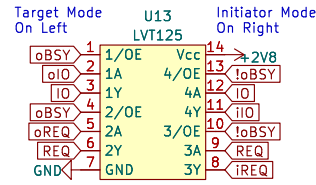
File: LED_Indicators.kicad_sch



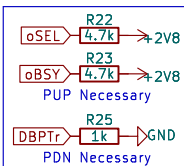
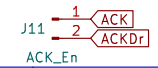
File: DataBusTransceivers.kicad_sch



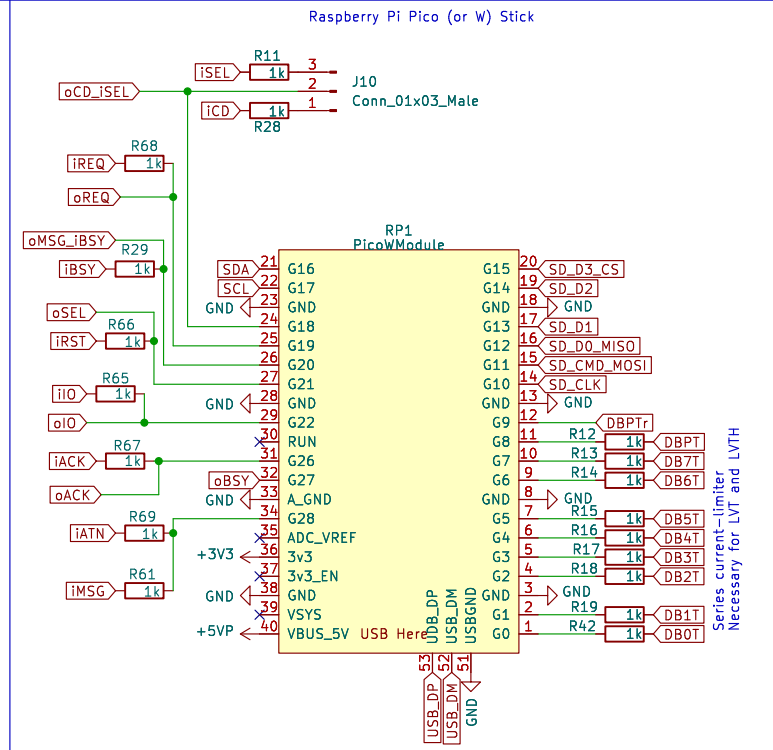
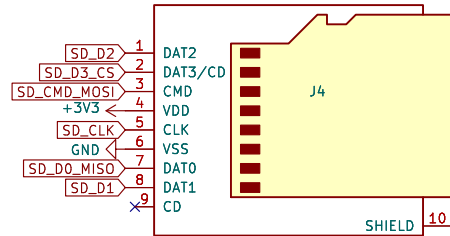
File: SCSI_And_Power.kicad_sch



SCSI Control Line Bus Buffers



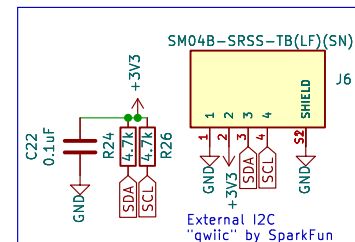
Micro_SD_Card_DeT_Hirose_DM3AT



BlueSCSI © Eric Helgeson
PCB © Tech by Androda, LLC
Licensed under CERN-OHL-S v2
https://ohwr.org/cern_ohl_s_v2.txt

This source is distributed WITHOUT ANY EXPRESS OR IMPLIED WARRANTY, INCLUDING OF MERCHANTABILITY, SATISFACTORY QUALITY AND FITNESS FOR A PARTICULAR PURPOSE. Please see the CERN-OHL-S v2 for applicable conditions.

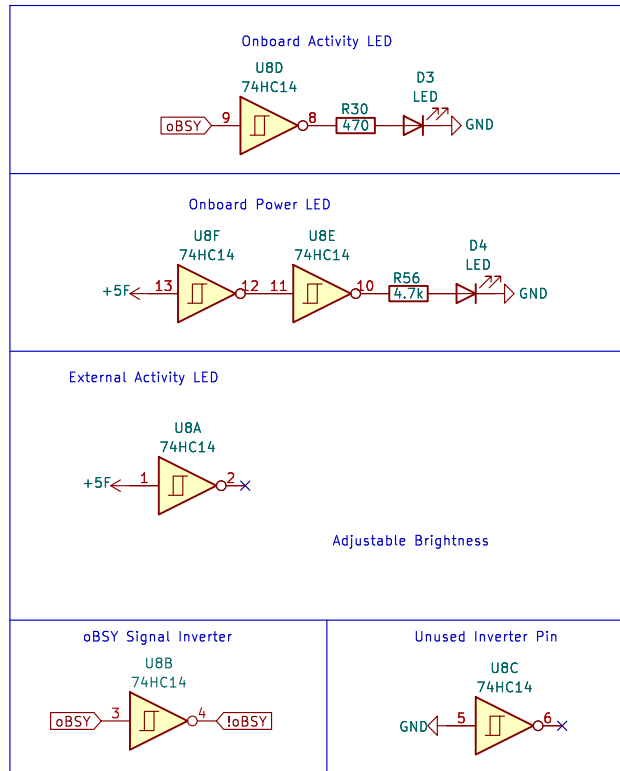
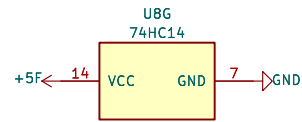
As per CERN-OHL-S v2 section 4, should You produce hardware based on this source, You must where practicable maintain the Source Location visible on the external case of the Device or other products you make using this source.



SM04B-SRSS-TB(LF)(SN) Symbol And Footprint Copyright SnapEDA
<https://www.snapeda.com/parts/SM04B-SRSS-TB%28LF%29%28SN%29/JST%20Sales/view-part/>
License For This Symbol and Footprint Only: CC-BY-SA 4.0
<https://creativecommons.org/licenses/by-sa/4.0/>
This license contains a warranty disclaimer, please read it in full

Tech by Androda, LLC, SweProj.com
Sheet: /
File: Desktop_50_Pin_TopConn.kicad_sch
Title: 4680-BlueSCSI V2.

Site: A4	Date: 2024-12-13	Rev: 1.00
KiCad E.D.A. 8.0.7		Id: 1/4



BlueSCSI © Eric Helgeson
PCB © Tech by Androda, LLC

Licensed under CERN-OHL-S v2
https://ohwr.org/cern_ohl_s_v2.txt

This source is distributed WITHOUT ANY EXPRESS OR IMPLIED WARRANTY, INCLUDING OF MERCHANTABILITY, SATISFACTORY QUALITY AND FITNESS FOR A PARTICULAR PURPOSE. Please see the CERN-OHL-S v2 for applicable conditions.

As per CERN-OHL-S v2 section 4, should You produce hardware based on this source, You must where practicable maintain the Source Location visible on the external case of the Device or other products you make using this source.

Tech by Androda, LLC, SweProj.com

Sheet: /LED_Indicators/
File: LED_Indicators.kicad_sch

Title: 4680-BlueSCSI V2.

Size: A4 Date: 2024-12-13

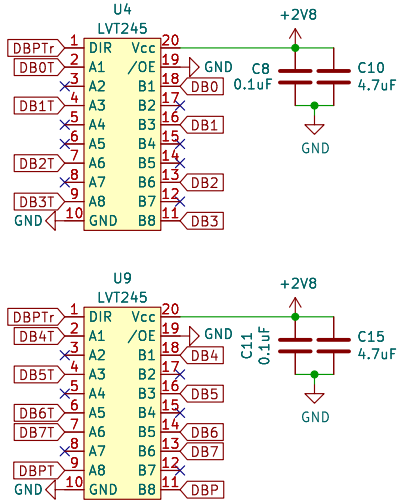
KiCad E.D.A. 8.0.7

Rev: 1.00

Id: 2/4

Data Bus Transceivers

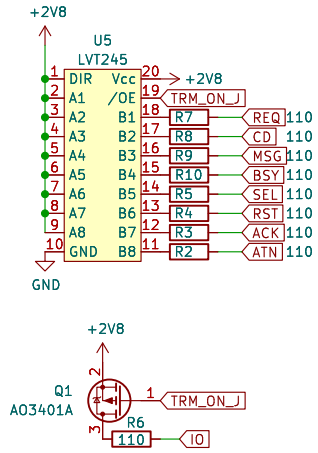
LVTH (bus-hold) style *required*



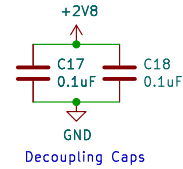
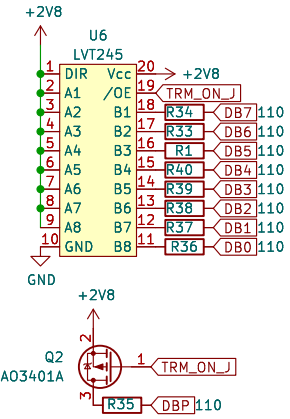
Termination

LVTH245 Now For Termination As Well

Data Bit and Parity

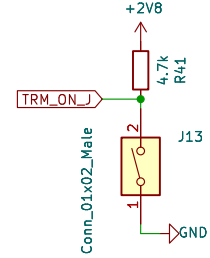


Control Line

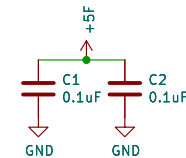


Decoupling Caps

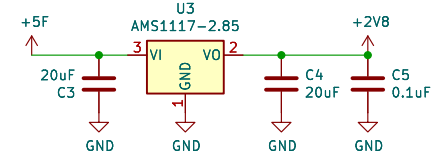
Term Enable/Disable Jumper



Decoupling Caps



Term Voltage



BlueSCSI © Eric Helgeson
PCB © Tech by Androda, LLC

Licensed under CERN-OHL-S v2
https://ohwr.org/cern_ohl_s_v2.txt

This source is distributed WITHOUT ANY EXPRESS OR IMPLIED WARRANTY, INCLUDING OF MERCHANTABILITY, SATISFACTORY QUALITY AND FITNESS FOR A PARTICULAR PURPOSE. Please see the CERN-OHL-S v2 for applicable conditions.

As per CERN-OHL-S v2 section 4, should You produce hardware based on this source, You must where practicable maintain the Source Location visible on the external case of the Device or other products you make using this source.

Tech by Androda, LLC, SweProj.com

Sheet: /Data_Bus_Transceivers_And_Termination/
File: DataBusTransceivers.kicad_sch

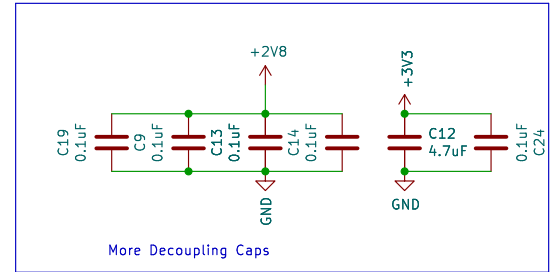
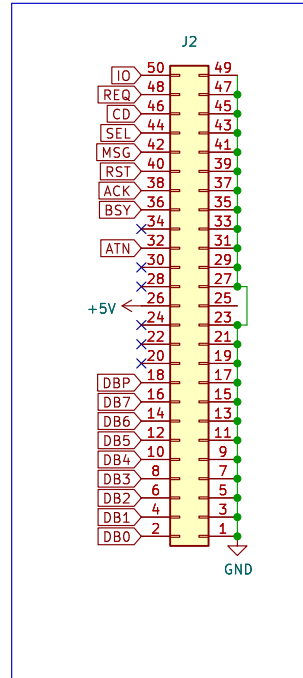
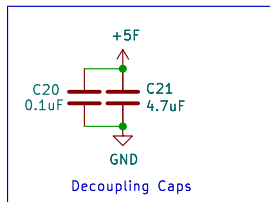
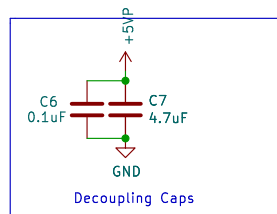
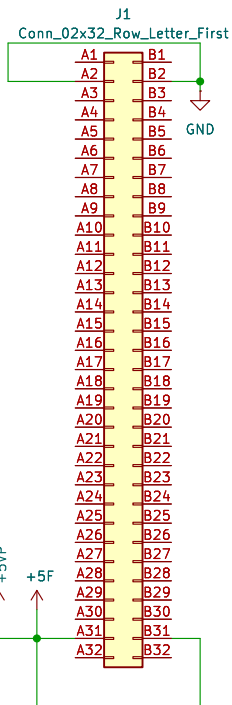
Title: 4680-BlueSCSI V2.

Size: A4 Date: 2024-12-13

KiCad E.D.A. 8.0.7

Rev: 1.00

Id: 3/4



BlueSCSI © Eric Helgeson
PCB © Tech by Androda, LLC

Licensed under CERN-OHL-S v2
https://ohwr.org/cern_ohl_s_v2.txt

This source is distributed WITHOUT ANY EXPRESS OR IMPLIED WARRANTY, INCLUDING OF MERCHANTABILITY, SATISFACTORY QUALITY AND FITNESS FOR A PARTICULAR PURPOSE. Please see the CERN-OHL-S v2 for applicable conditions.

As per CERN-OHL-S v2 section 4, should You produce hardware based on this source, You must where practicable maintain the Source Location visible on the external case of the Device or other products you make using this source.

Tech by Androda, LLC, SweProj.com

Sheet: /SCSI_And_Power/
File: SCSI_And_Power.kicad_sch

Title: 4680-BlueSCSI V2.

Size: A4 Date: 2024-12-13

KiCad E.D.A. 8.0.7

Rev: 1.00

Id: 5/4