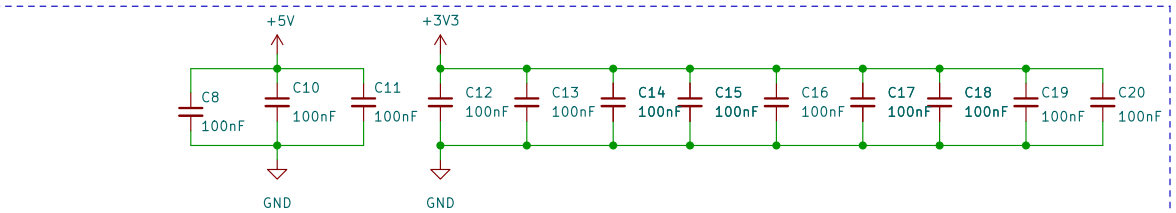
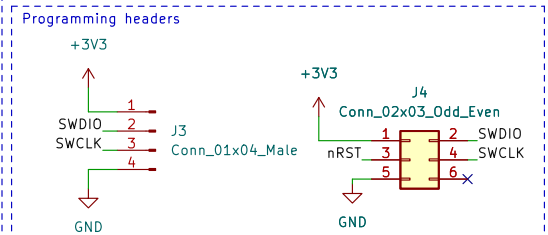
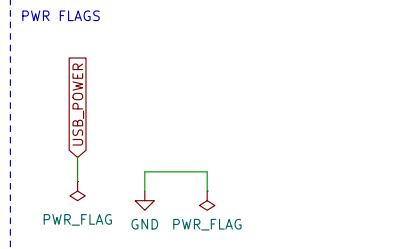
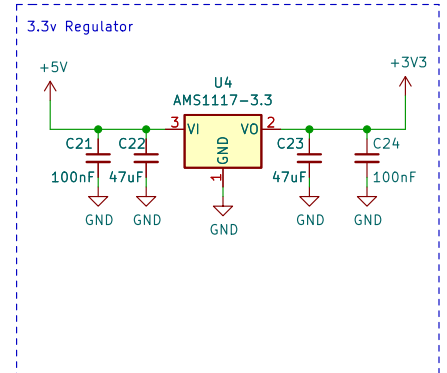
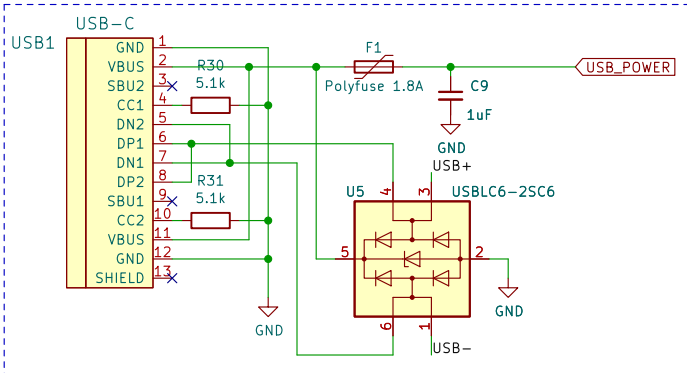
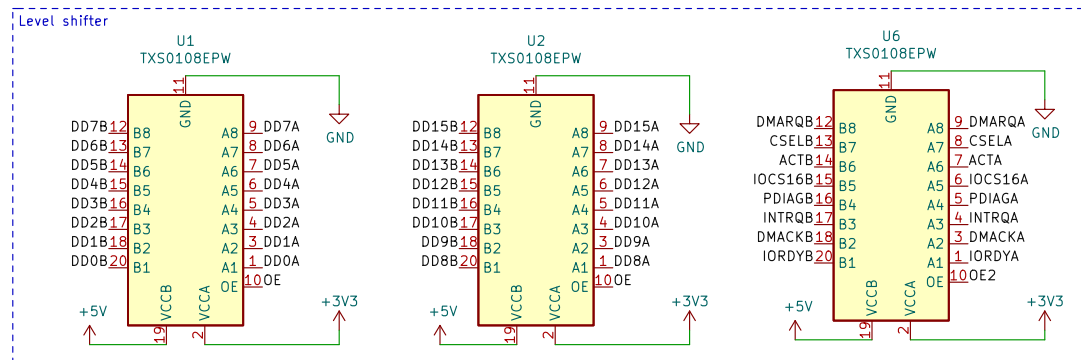
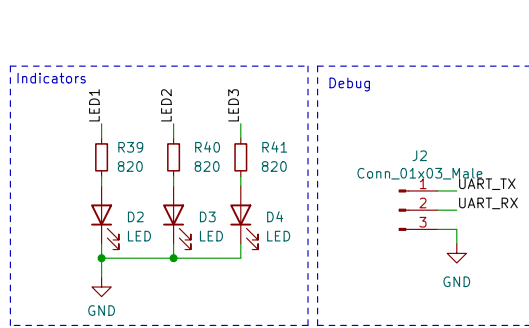
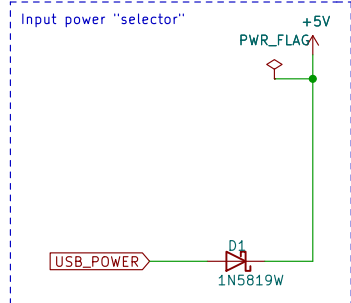
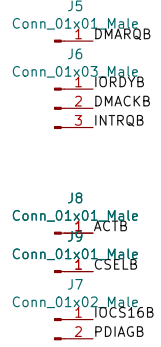
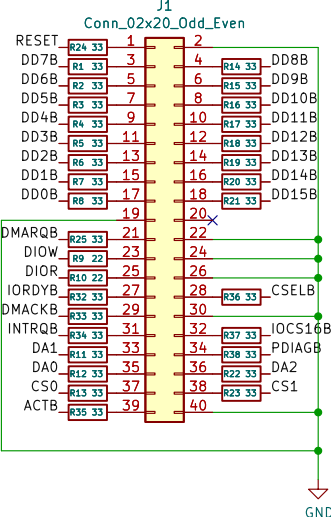


H1 Hole
H2 Hole
H3 Hole
H4 Hole



Sheet: /
File: ideatausb.kicad_sch
Title: PATA/IDE for STM32F407
Size: A3 Date: 2022-11-21 Rev:
KiCad E.D.A. kicad 6.0.9-8da3e8f707-116-ubuntu22.04.1 Id: 1/1