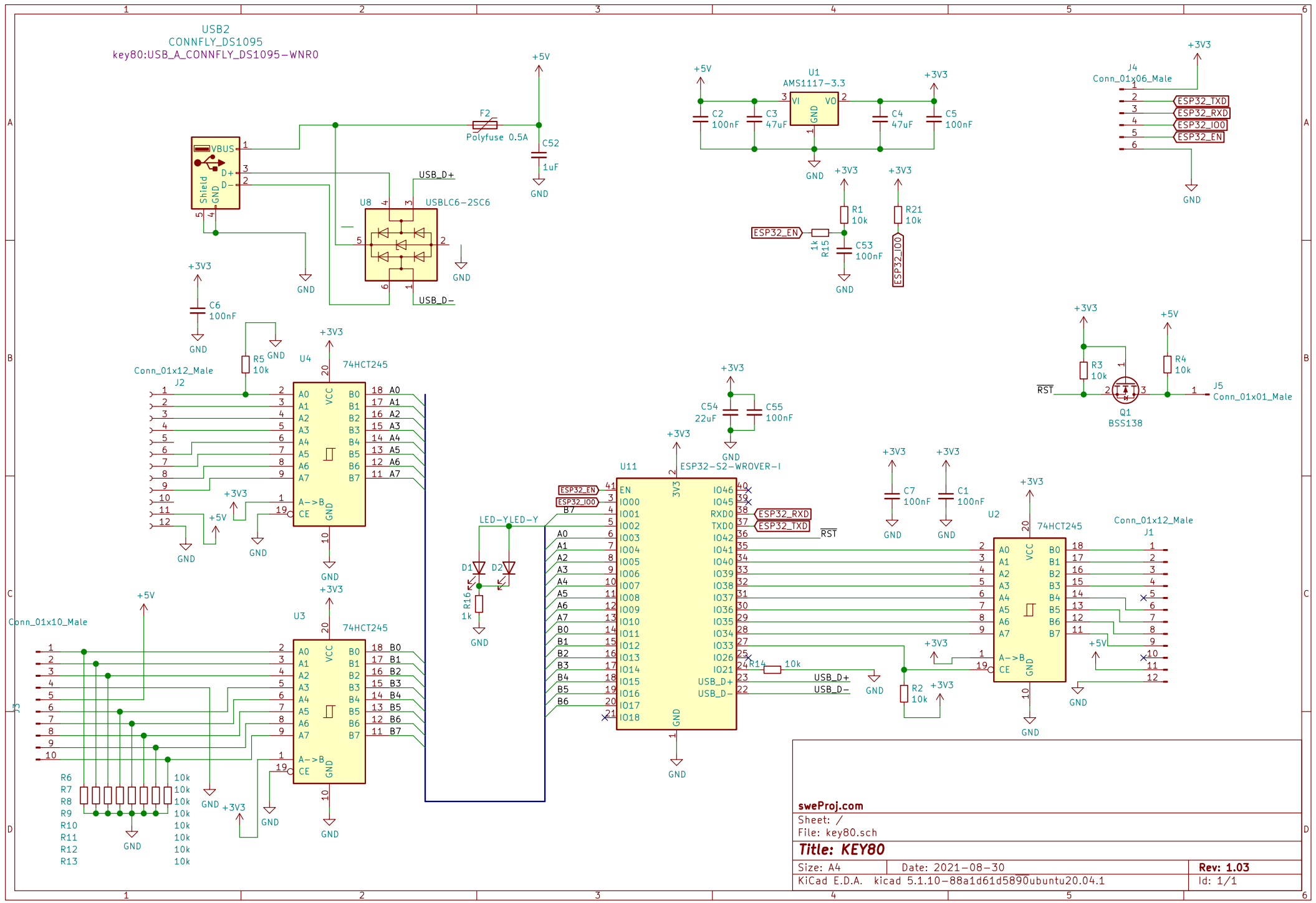


USB2
CONNFLY_DS1095
key80:USB_A_CONNFLY_DS1095-WNR0



sweProj.com	
Sheet: /	
File: key80.sch	
Title: KEY80	
Size: A4	Date: 2021-08-30
KiCad E.D.A. kicad 5.1.10-88a1d61d5890ubuntu20.04.1	Rev: 1.03
	Id: 1/1