

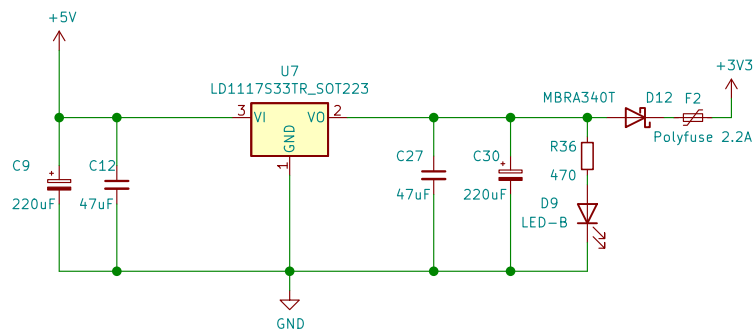
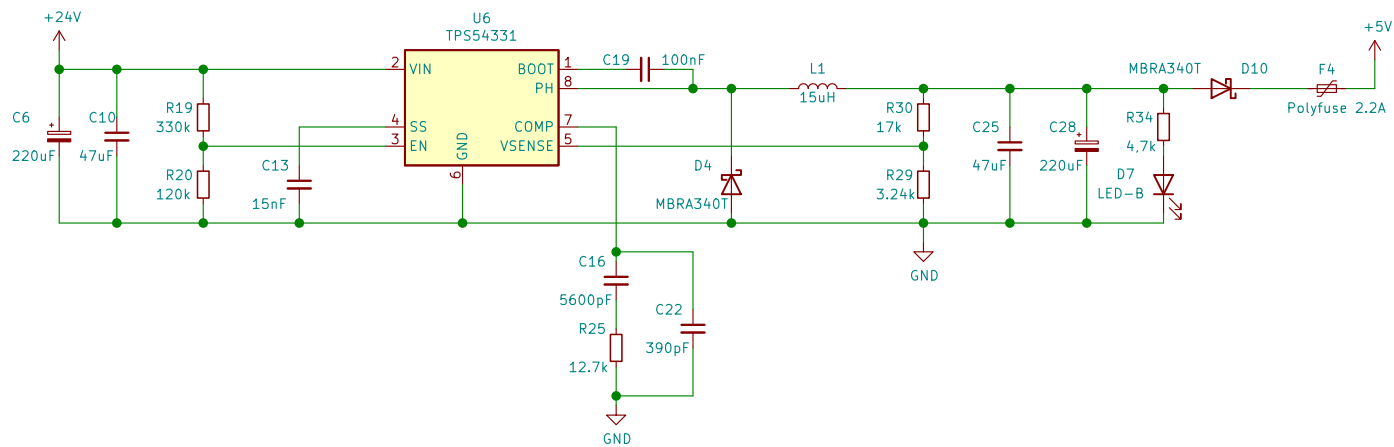
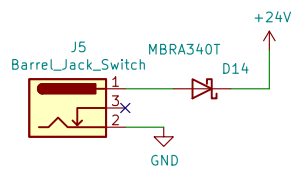
www.SweProj.com

Sheet: /
File: key800.sch

Title: KEY800

Size: A4 Date: 2021-09-12
KiCad E.D.A. eschema 5.1.10-88a1d61d5890ubuntu20.04.1

Rev: 1.01
Id: 1/3



www.SweProj.com

Sheet: /Power/
File: Power.sch

Title: KEY800

Size: A4 Date: 2021-09-12
KiCad E.D.A. eeschema 5.1.10-88a1d61d5890ubuntu20.04.1

Rev: 1.01
Id: 3/3