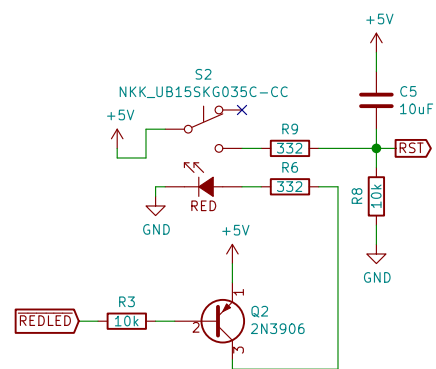
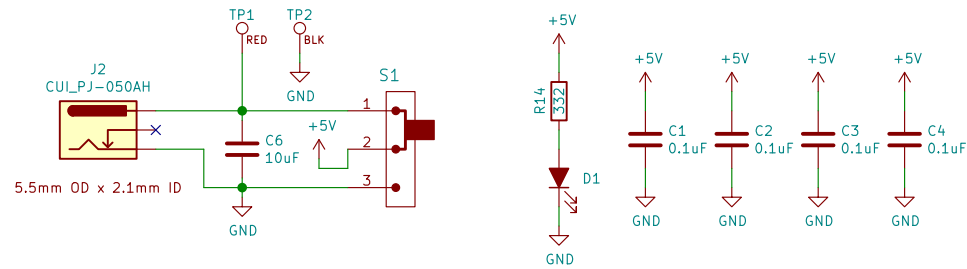
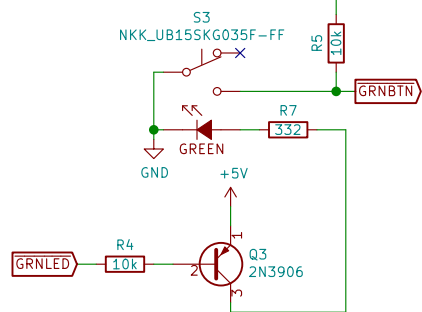


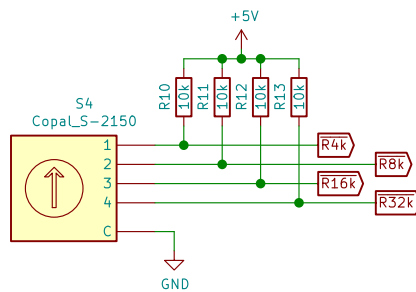
5 VDC Power Input



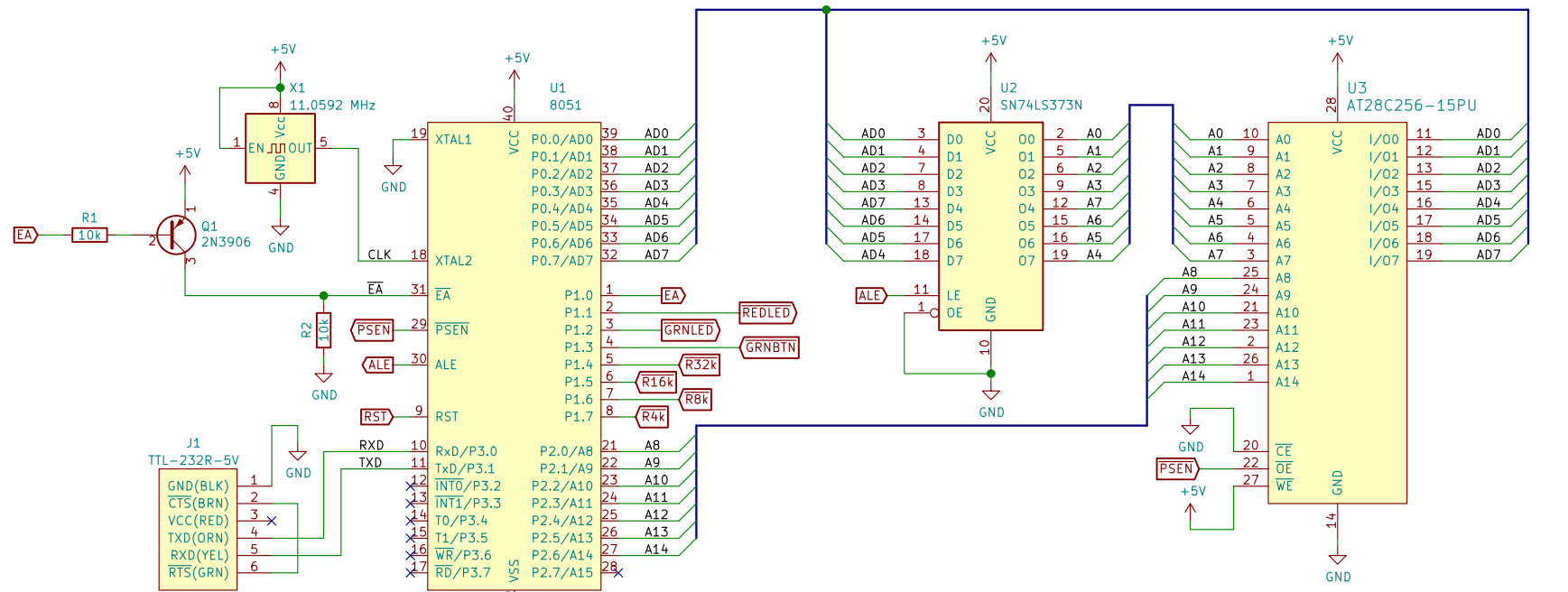
Reset button with red LED.



Start button with green LED.



Dump Size:
 1: 8051 (4k)
 2: 8052 (8k)
 3: 8054 (16k)
 4: 8058 (32k)



Header for connection to FTDI TTL-232-5V cable.

ZIF socket for 8051 to be dumped.

32k x8 EEPROM Aliased at 0x0000 and 0x8000

Mark J. Blair <nfx@nfx.net>

Sheet: /
 File: 8051dumper.sch

Title: 8051dumper

Size: B Date: 2020-04-19

Rev: 1.0

KiCad E.D.A. kicad (5.1.4-0-10_14)

Id: 1/1